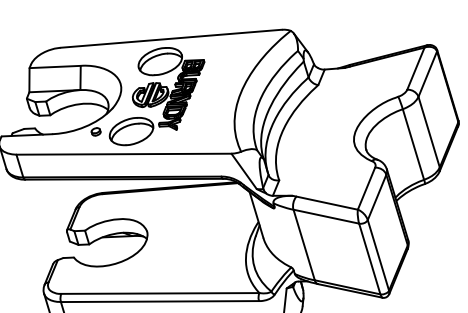
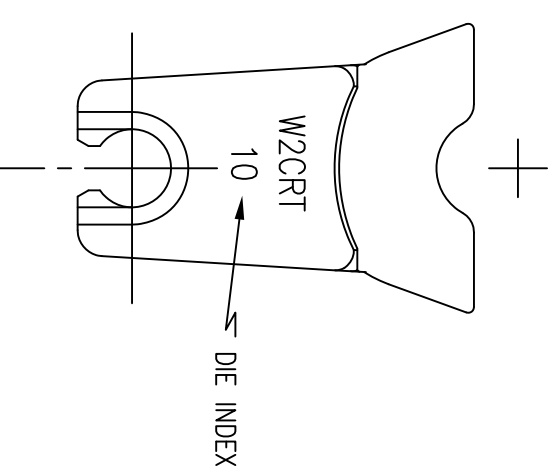
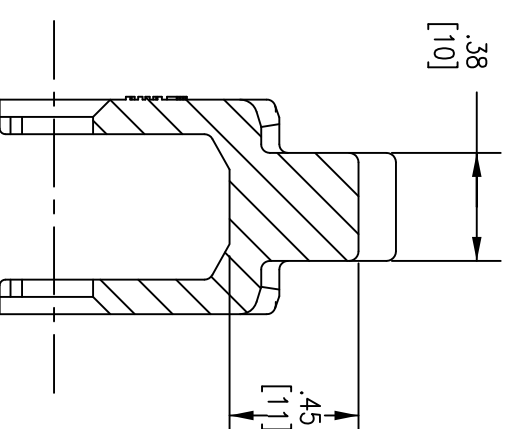
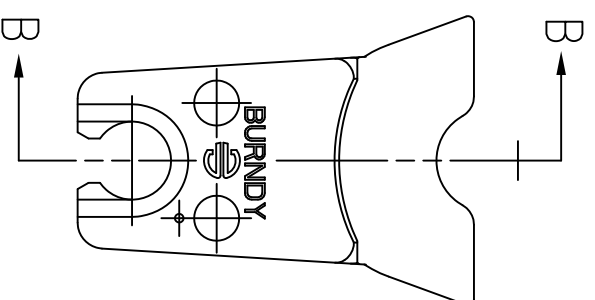
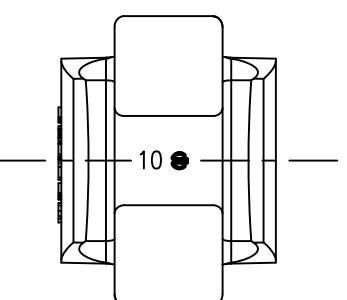


CATALOG NUMBER	DESCRIPTION
HW2CRT	2 AWG, 10 INDEX DIE SET



- TECHNICAL NOTES:
1. KIT CONTAINS ONE INDEX SET.
 2. MATERIAL : STAINLESS STEEL.
 3. FITS HPAT600U AND HMD7 COMPRESSION TOOLS.
 4. SPECIFICATIONS SUBJECT TO CHANGE WITHOUT NOTICE.

Created on AUTOCAD		DIMENSIONING AND TOLERANCE PER ANSI Y14.5M-1982 UNLESS OTHERWISE SPECIFIED, DIMENSIONS ARE IN INCHES (MM). TOLERANCES .XX = ±.01 (.25) .XXX = ±.005 (.127) .XXXX = ±.0025 (.0635) ANGLE TOL ±.1°		PROJECT REFERENCE: 2011-041		HUBBELL Hubbell Premise Wiring HUBBELL INCORPORATED (Delaware) 23 CLARA DRIVE, SUITE 103 MYSTIC, CT 06355	
IN ACCEPTING OUR DRAWINGS, BLUEPRINTS, OR SUPPORTING DOCUMENTATION FOR QUOTATION OR OTHER PURPOSES, YOU AGREE NOT TO DISCLOSE TO OTHERS THE IDEAS, INFORMATION, OR DESIGNS SHOWN HEREIN, AND THAT YOU WILL MAKE NO USE OF SAME WITHOUT PERMISSION		MATERIAL: SEE NOTES		DRAWN BY: C. GRIBBLE 10/9/12		TITLE: DIE SET, 2 AWG, 10 INDEX W DIE SET FAMILY	
REV. 1		ECN 18024		DATE 12/10/12		INITIAL RELEASE	
CHG BY		MMA		APPD BY		DESCRIPTION	
SCALE: N/A		DRAWING NO. HW514176C		SIZE C		REV. 1	
SHEET 1 OF 1		SHEET 1 OF 1		SCALE: N/A		REV. 1	